

TECHNICAL SPECIFICATIONS

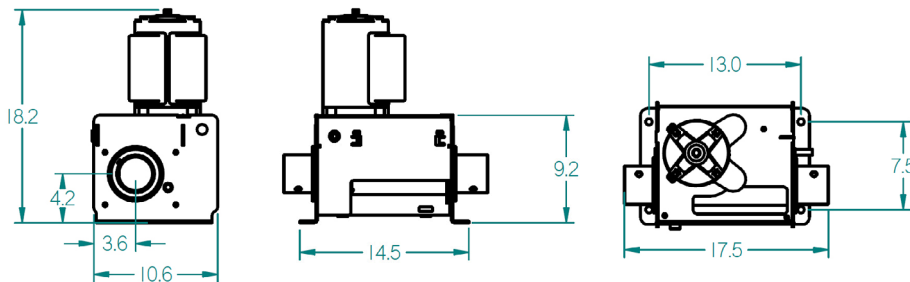
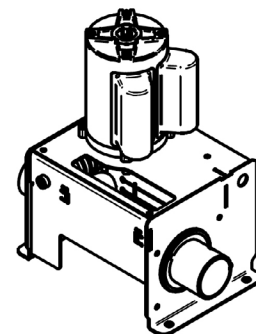
TS 1000 Outline Drawing

Drawn: FAHD
December 3, 2012

Engineer Approved: MC
December 18, 2012

Size: A
DWG NO: TS 1000 - 010D
Scale: 1:10
Weight: 83 lbs

TS 1000 CURTAIN WINCH



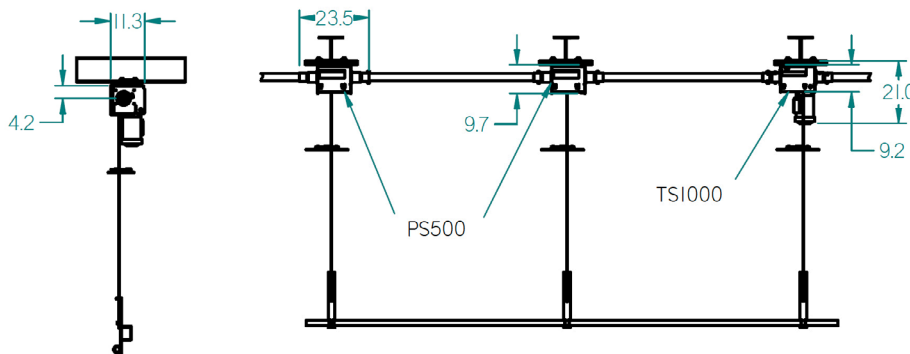
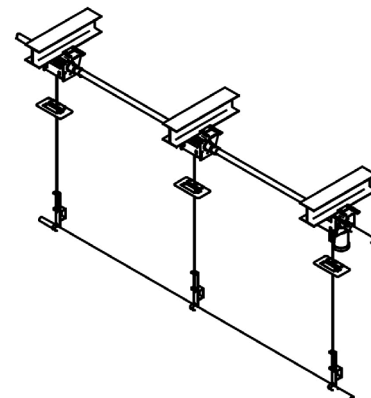
TS 1000 and PS 500 Tork Star Lineset Outline Drawing

Drawn: FAHD
December 3, 2012

Engineer Approved: MC
December 18, 2012

Size: A
DWG NO: Torkstar-010D
Scale: 1:40

TS 1000 CURTAIN WINCH AND PS 500 TORK STAR LINESET



Call to speak with an expert:
1-866-829-4411
or visit us online:
TORKWINCH.COM